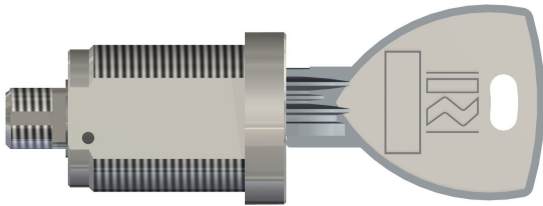
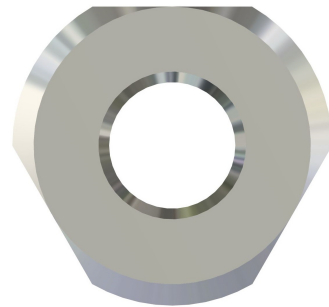


## Instructions for hand-tightening of the new triangular nut on cam locks series 400-500 RS1

FIG.1



**. NEW TRIANGULAR NUT**



### INSTALLATION INSTRUCTIONS:

- . Install with user key inserted (see fig.1)
- . Insert the cam, external tab lock washer and nut (see fig.2), rotate the triangular nut manually (see fig.3)
- . Tighten the external tabs of the lock washer (see fig.4)

FIG.2

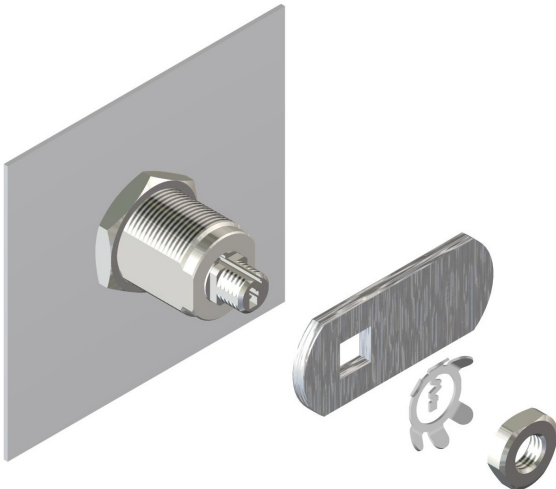
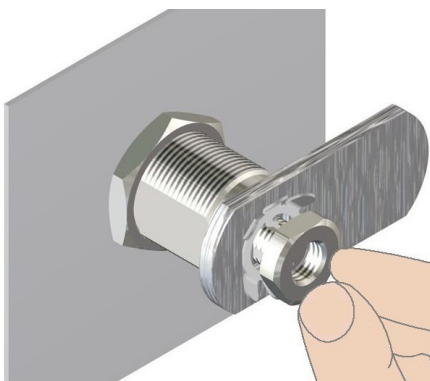


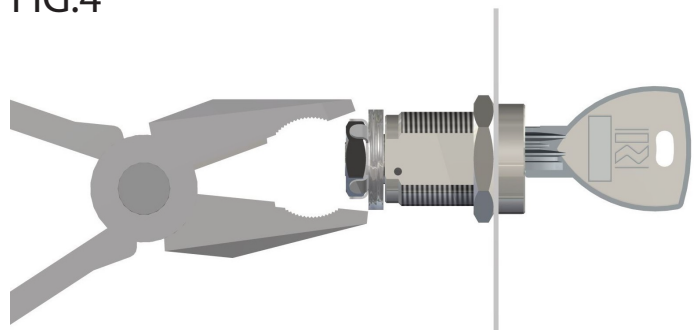
FIG.3



### WARNING:

- . It is very important to tighten the nut by hand. Tightening of the nut with pliers, spanners, monkey wrenches or any other kind of tool, can lead to an immediate seizure of the lock, or it could seize after a period of use.

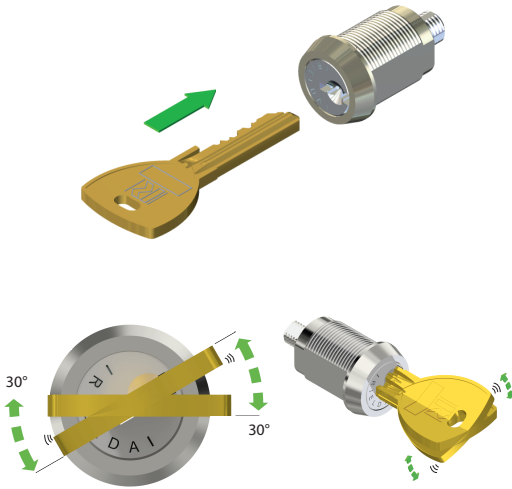
FIG.4



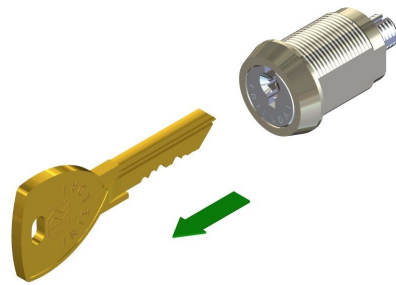
## RS1 Re-Programmable cylinder locks for high security

**BEFORE INSTALLING THE LOCK AND TIGHTEN THE NUTS MAKE SURE THE LOCK HAS ALREADY BEEN PROGRAMMED. THE LOCK IS CERTAINLY PROGRAMMED IF THE SILVER USER KEY CAN BE INSERTED AND REMOVED.**

### PROGRAMMING

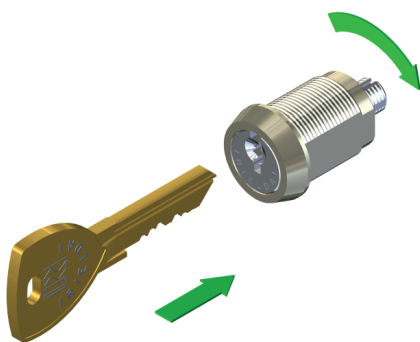


- Insert the gold programming key
- Turn the gold key back and forth a few times without compensating the rotation (about 30°)
- Rotate the key to the vertical position

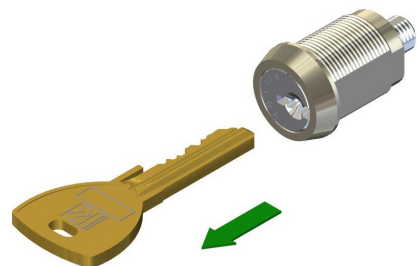


- Remove the key
- The lock is now programmed. Put away the gold programming key in a safe place and use the silver key

### RE-PROGRAMMING



- Insert the gold programming key
- Rotate the key (from the vertical position to the horizontal position)



- Remove the key
- The lock is now ready to be programmed with a new key

#### MECHANISMS

- The locking mechanisms inside the back body of the lock should move freely without exerting any stress on the lock. Do not use a return spring or free fall mechanism with consulting us first.

#### LUBRICATION

- In order to maintain a correct working usage, locks should be lubricated at least every six months with a penetrating lubricant spray. Avoid heavy oils which tend to withhold the accumulation of dust and dirt.